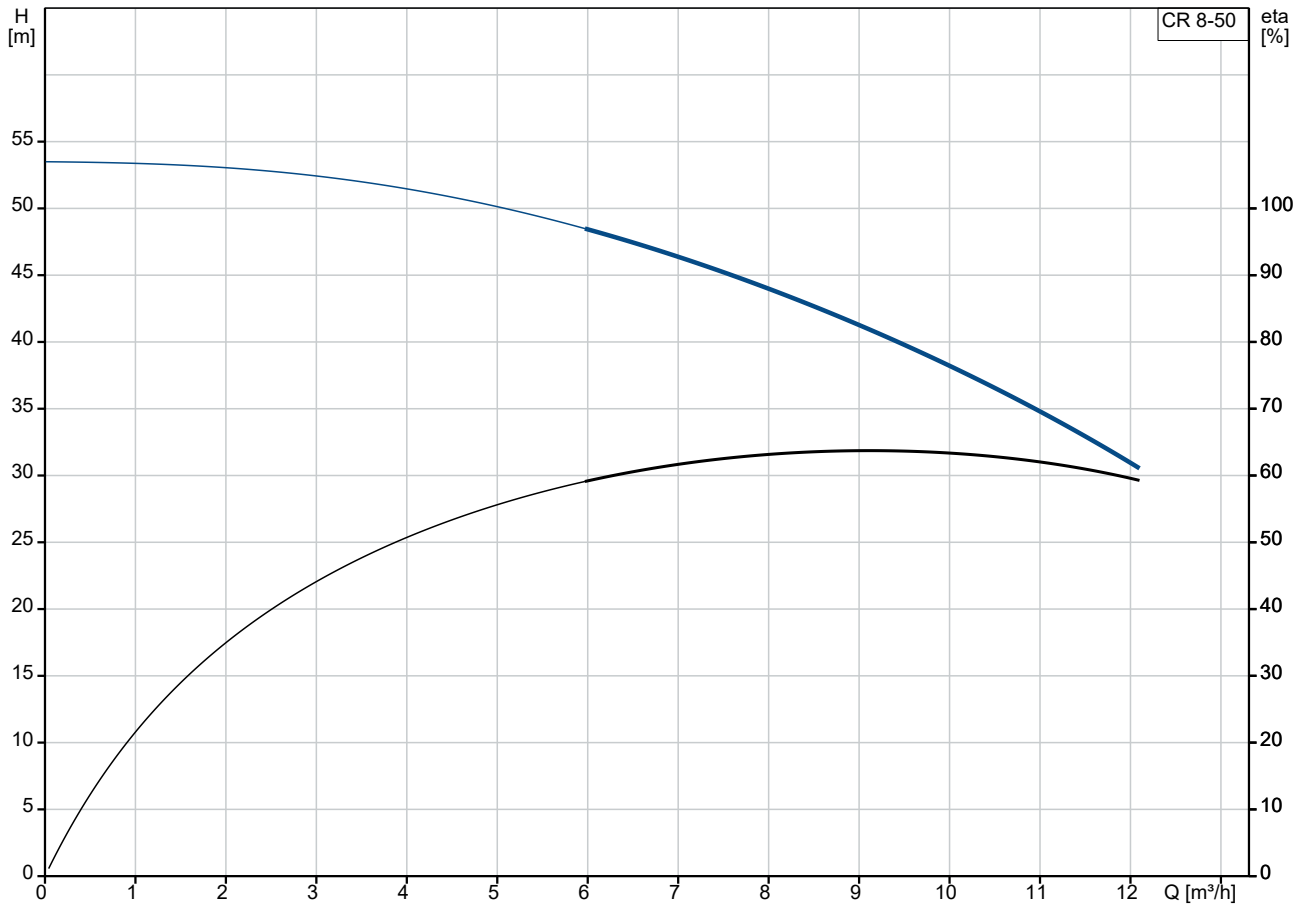
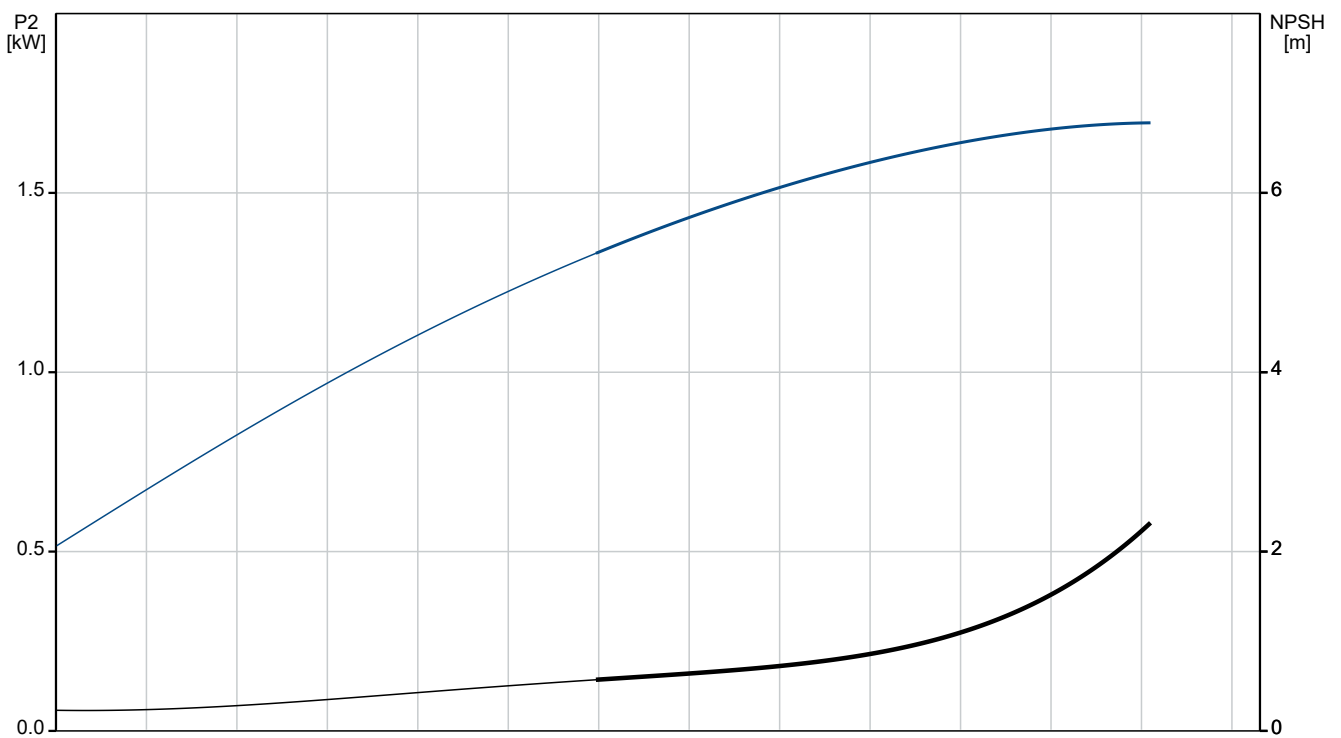


## 42500005 CR 8-50 50 Hz



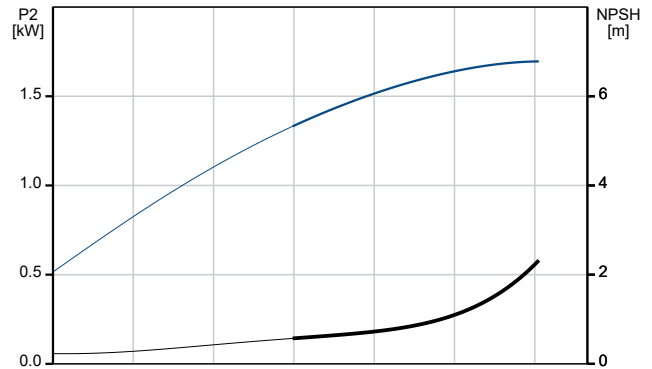
Pumped liquid = Water  
 Liquid temperature during operation = 20 °C  
 Density = 998.2 kg/m<sup>3</sup>



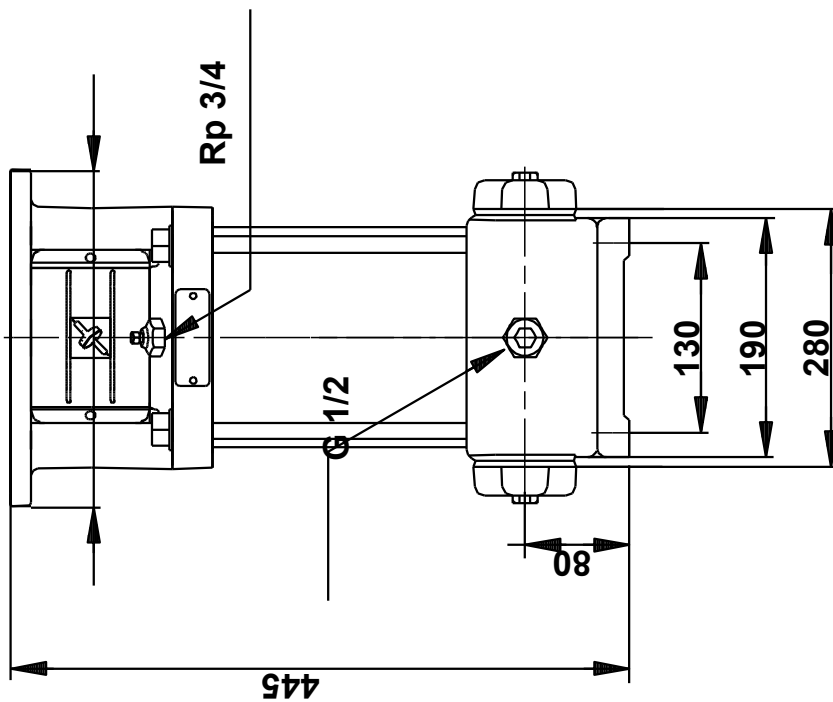
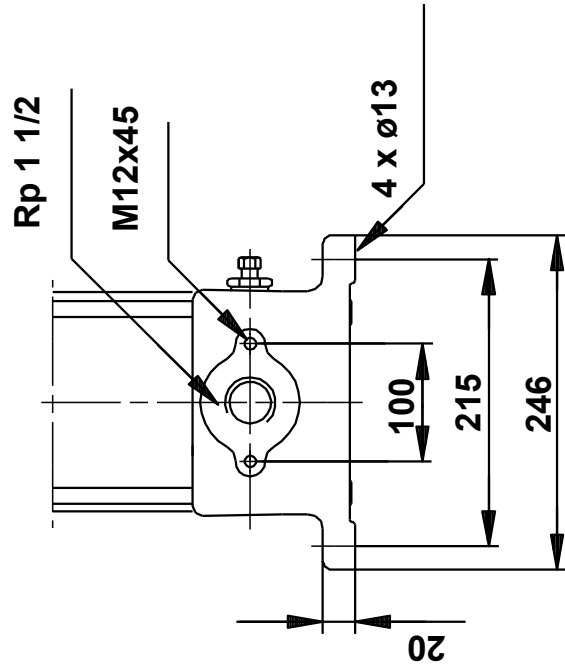
Description	Value
<b>General information:</b>	
Product name:	CR 8-50
Product No:	42500005
EAN number:	5700390793111
Price:	
<b>Technical:</b>	
Pump speed on which pump data are based:	2900 rpm
Rated flow:	9.5 m <sup>3</sup> /h
Rated head:	42.3 m
Stages:	5
Impellers:	5
Low NPSH:	N
Code for shaft seal:	BUBE
Pump version:	A
Model:	B
<b>Materials:</b>	
Base:	Cast iron
Base:	EN-JL1030
Base:	25 B
Impeller:	Stainless steel
Impeller:	EN 1.4301
Impeller:	AISI 304
Material code:	A
<b>Installation:</b>	
Max pressure at stated temp:	16 bar / 120 °C
Type of connection:	OVAL
Size of inlet connection:	Rp 1 1/2
Flange size for motor:	F115
Connect code:	A
<b>Liquid:</b>	
Pumped liquid:	Water
Liquid temperature range:	-15 .. 120 °C
Selected liquid temperature:	20 °C
Density:	998.2 kg/m <sup>3</sup>
<b>Electrical data:</b>	
Power (P2) required by pump:	2.2 kW
<b>Others:</b>	
Net weight:	26 kg



Pumped liquid = Water  
Liquid temperature during operation = 20 °C  
Density = 998.2 kg/m<sup>3</sup>



## 42500005 CR 8-50 50 Hz



Note! All units are in [mm] unless others are stated.  
Disclaimer: This simplified dimensional drawing does not show all details.